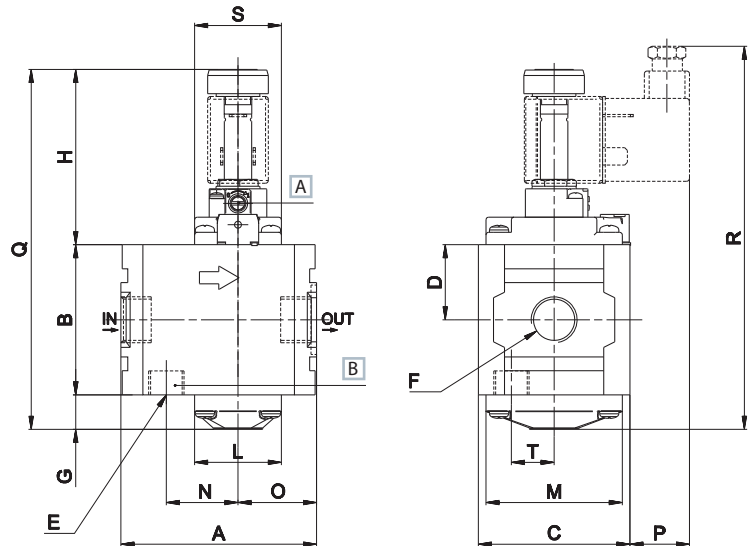
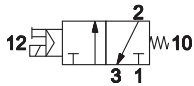


The 3 ways valve enable system supply and exhaust.
Version with CNOMO or 15mm electropilot is available upon request.

| Size | 1 | |
|-----------------------------------|---|----------|
| Part no. | HZE1S10G | HZE1S15G |
| Threaded port | G3/8 | G1/2 |
| Flow rate (NI/min) ^(A) | 2800 | |
| Max inlet pressure (bar-MPa-psi) | 10-1-145 | |
| Min pressure (bar-MPa-psi) | 2 - 0,2 - 29 | |
| Fluid | compressed air | |
| Temperature (°C) | 5 ÷ 60 | |
| Weight (Kg) | 0,7 | |
| Commutation system | poppet valve | |
| Ways/Position | 3/2 NC | |
| Control | indirect electropneumatic control | |
| Nominal diameter | 10 | |
| Electropilot | U1 / U3 | |
| Coil | 12 V DC - 24 V DC - 24 V AC - 110 V AC - 23 | |
| Manual Override | with 2 position screw | |

(A) = inlet pressure 6 bar, outlet pressure 5 bar - Δp 1 bar

HZE-S



- A Manual override
- B Exhaust

| size | A | B | C | D | E | F | G | H | ØL | ØM | N | O | P | Q | R | S | T |
|------|----|------|----|----|------|-----------|------|----|----|------|----|----|----|-----|-----|------|------|
| 1 | 71 | 54,5 | 55 | 27 | G1/4 | G3/8-G1/2 | 12,5 | 64 | 32 | 49,5 | 26 | 29 | 22 | 131 | 139 | 31,5 | 15,5 |

Coils and silencers are not included

