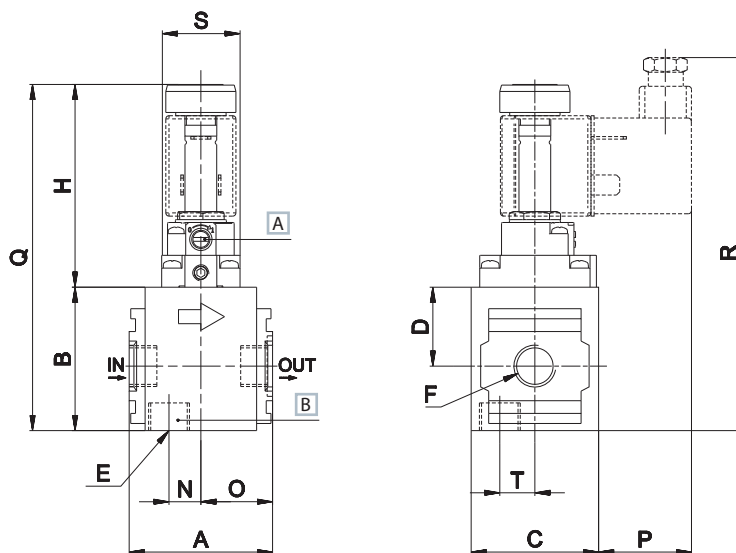
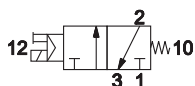


The 3 ways valve enable system supply and exhaust.  
Version with CNOMO or 15mm electropilot is available upon request.

<b>Size</b>	<b>0</b>
<b>Part no.</b>	<b>HZE0S08G</b>
<b>Threaded port</b>	G1/4
<b>Flow rate (NI/min)<sup>(A)</sup></b>	900
<b>Max inlet pressure (bar-MPa-psi)</b>	10-1-145
<b>Min pressure (bar-MPa-psi)</b>	2 - 0,16 - 23
<b>Fluid</b>	compressed air
<b>Temperature (°C)</b>	5 ÷ 60
<b>Weight (Kg)</b>	0,460
<b>Commutation system</b>	poppet valve
<b>Ways/Position</b>	3/2 NC
<b>Control</b>	indirect electropneumatic control
<b>Nominal diameter</b>	8
<b>Electropilot</b>	U1 / U3
<b>Coil</b>	DA
<b>Manual Override</b>	with 2 position screw

(A) = inlet pressure 6 bar, outlet pressure 5 bar - Δp 1 bar

**HZE-S**



- A Manual override
- B Exhaust

size	A	B	C	D	E	F	H	N	O	P	Q	R	S	T
0	45	45	40	25	G1/4	G1/4	64	10	22,5	29	109	117	24,5	11

Coils and silencers are not included

