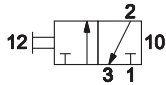
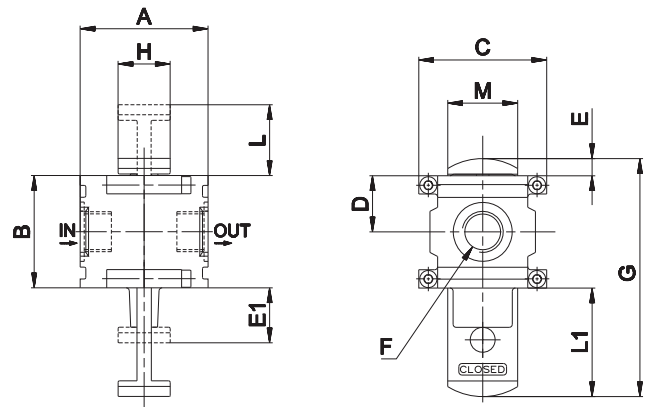


The lockable valve is a 3 way 2 position manual valve. In the closed position it enables discharge of the downstream system of the air preparation equipment. By using one lock (not included) the user is not allowed to pressurize the system accidentally.

<b>Size</b>	<b>0</b>
<b>Part no.</b>	<b>HZE0P08G</b>
<b>Threaded port</b>	G1/4
<b>Flow rate (NI/min) <sup>(A)</sup></b>	900
<b>Max inlet pressure (bar-MPa-psi)</b>	10-1-145
<b>Fluid</b>	compressed air
<b>Temperature (°C)</b>	0 ÷ 60
<b>Weight (Kg)</b>	0,21

(A) = inlet pressure 6 bar, outlet pressure 5 bar - Δp 1 bar

**HZE-P**



size	A	B	C	D	E	E1	F	G	H	L	L1	M
0	41	36	41	18	6	18	G1/4	77	17	23	35	22,5

